

The next generation of machine vision lighting, powered by LuxiBright®

MACHINE VISION LINE LIGHTS USER MANUAL

www.less-sa.com

less 
+ BE BRILLIANT

This information is confidential and is not to be copied or forwarded to any 3rd party without our prior written consent.

TABLE OF CONTENTS

PREAMBLE.....	3
UNPACKING.....	3
ORDER INFORMATION.....	3
DIMENSIONS & FIXING.....	4
CONNECTING & WIRING.....	6
OPERATING MODES (via DIP SWITCH).....	6
LED INDICATORS.....	7
POWER SUPPLY.....	7
OPERATING CONDITIONS.....	7
MAINTENANCE.....	7

PREAMBLE



LuxiLine WHITE 5400°K

This manual contains safety instructions and instructions for installing, connecting and using the LuxiLine. It is essential to follow these instructions to ensure optimal and safe use. Any improper use may invalidate the product warranty.

UNPACKING

The product is packaged with care. In the event of visible damage on receipt, it is essential to report this to the carrier on the delivery note, and then to your supplier within 24 hours. Open the packaging without using a blade to avoid any damage to the product.

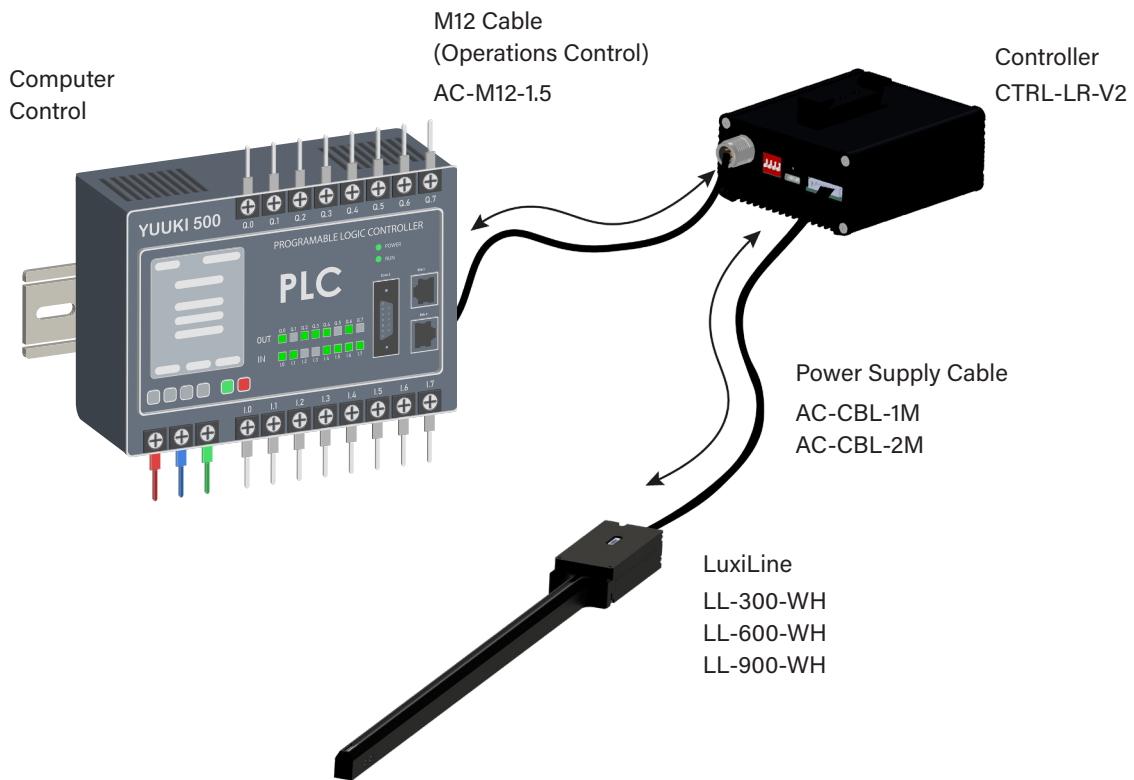
ORDER INFORMATION

LuxiLine	Lenght	Angle	M12 Cable	Power Supply Cable	Controller
LL	XXX [⊗]	FWHM 15°	AC-M12-1.5	AC-CBL-1M AC-CBL-2M	CTRL-LR-V2

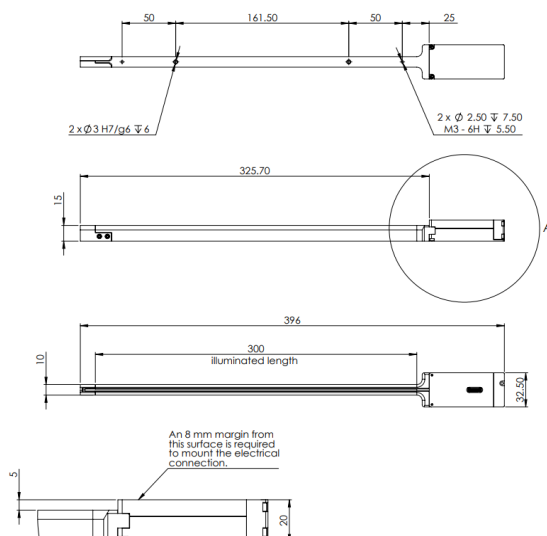


DIMENSIONS & FIXING

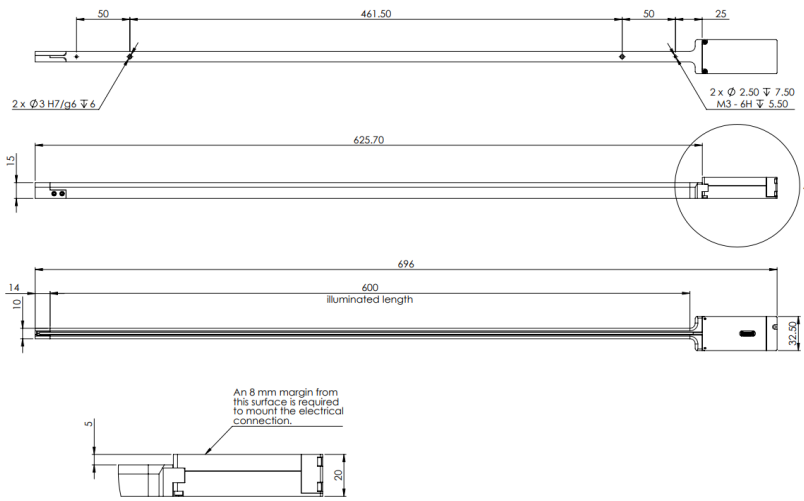
Standard dimensions are available. LuxiRing is fitted with M4 captive nuts for mounting. Use M4 screws (not supplied), with a tightening torque of 0.5 to 1.5 Nm.



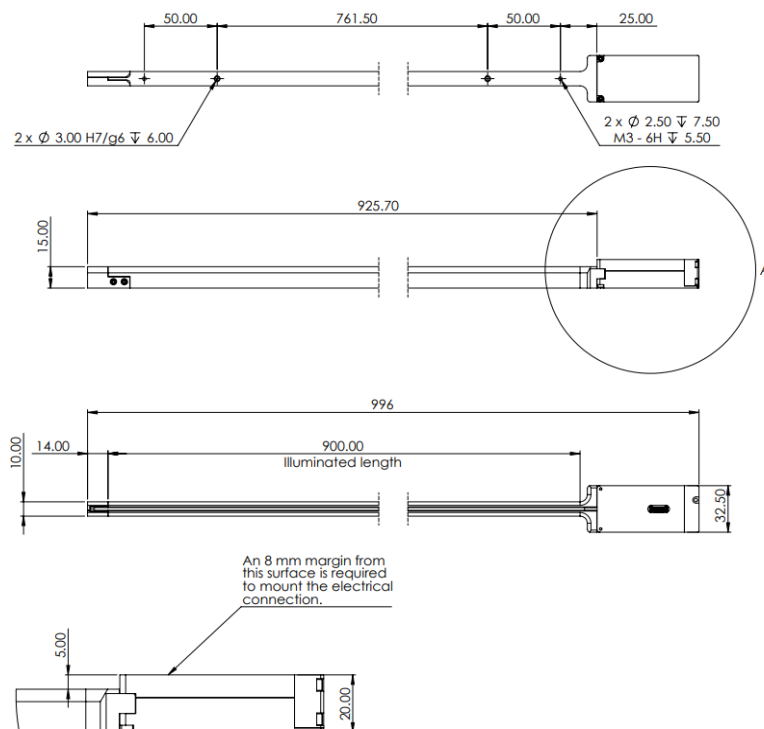
LuxiLine 300mm



LuxiLine 600mm



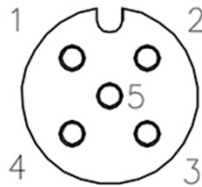
LuxiLine 900mm





CONNECTION & WIRING

Controller's input: 5 wires terminal-to M12 5-pin-power supply and external trigger



1	BN	
2	WH	
3	BU	
4	BK	
5	GY	

24 VDC
Analog Dimming
0-10 VDC*
GND
Trigger en 12-26 VDC
n.d.

Ref : AC-M12-1.5

*Analog dimming range: 0-10 VDC.

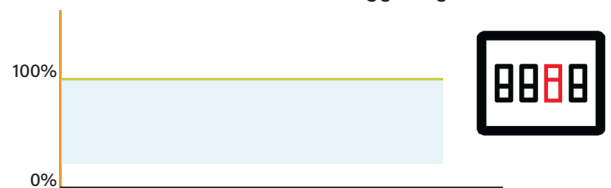
At 0 VDC, light intensity is 20%; at 10 VDC, light output is 100%.

OPERATING MODES (via DIP SWITCH)

LuxiLine uses LuxiBright technology which may present photobiological risks. To ensure safety, wear suitable safety goggles. See classification table below:

Mode	Configuration	Description
0	SW3 ON	Continuous 100% without triggering
1	ALL OFF	Continuous nominal or via high/low trigger
2	SW1 ON	Rising edge detection + Overdrive
3	SW2 ON	Pulse tracking + Overdrive
4	SW4 ON	Analog Voltage DIMING

0. Continuous 100% without triggering



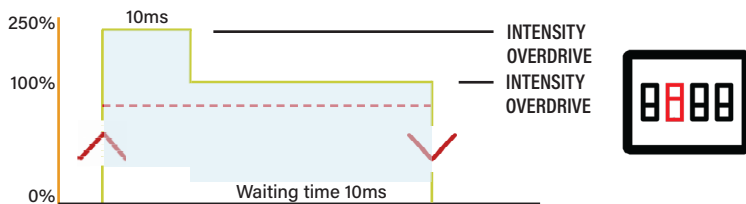
1. Continuous nominal or via high/low trigger



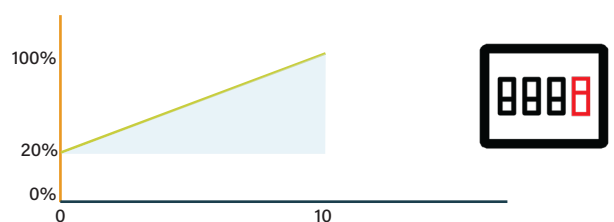
2. Rising edge detection + Overdrive



3. Pulse tracking + Overdrive



4. Analog Voltage DIMING



Light Intensity
 Trigger
 Tension (VDC)
 0-10 VDC Dimming Range
 Laser Current
 Trigger Edge
 Time

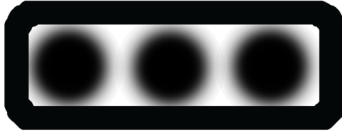
* The operating cycle can have an impact on the temperature of the lighting system. A built-in temperature control system constantly monitors the system, and if the preset temperature limit is exceeded, the lighting automatically shuts down to prevent overheating. In order to reboot the system, the power of the M12 Cable needs to be reset.



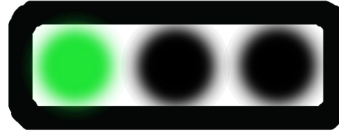
LED INDICATORS

- **Mode 1** : Ready without light (green LED)
- **All Modes** : Flashing red LED = error
- **Mode 2 & 3** : Constant green LED, blue LED on trigger detection

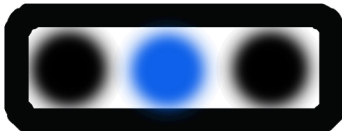
Mode 1



Mode 2



Mode 3



All Modes



POWER SUPPLY

- **Operating voltage** : 24V (+/- 10%)
- **Max voltage** : 26V
- **Min voltage** : 12V
- **Input voltage** : 24V
- **Trigger input** : 12-26 VDC, PNP
- **IP Rating** : IP30

OPERATING CONDITIONS

- **Temperature** : 0°C to +40°C
- **Humidity** : max 80%, non-condensing
- Do not use outdoors
- Do not dismantle or modify the product
- Never look directly at the light source

MAINTENANCE

- Cleaning only at standstill
- Use a soft, dry cloth
- Do not use solvents or abrasive products

LESS E

⊕ BE BRILLIANT

Contact us via
our website
to find out more.

www.less-sa.com

